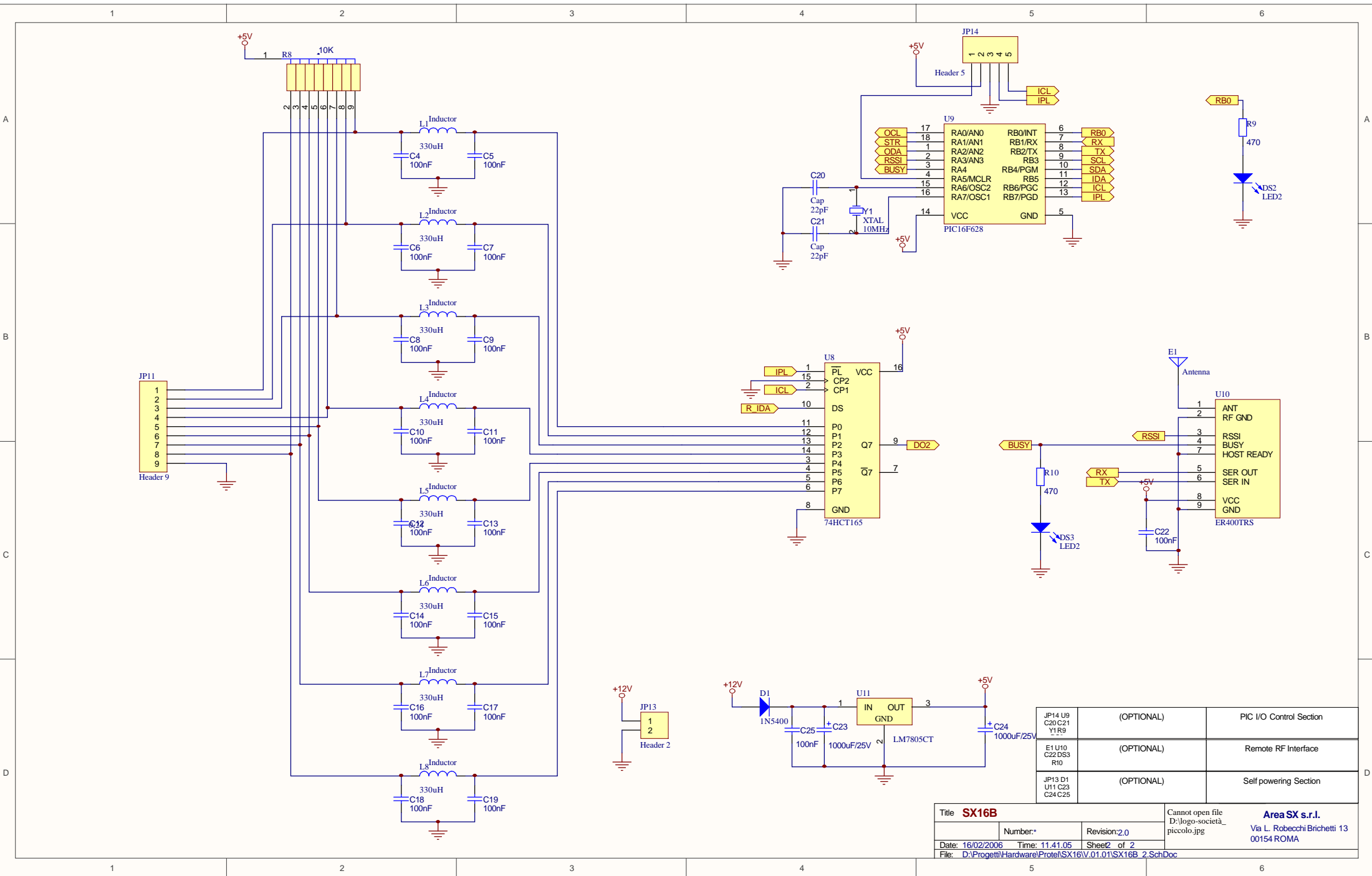


Foglio 2  
SX16B\_2.SchDoc



JP14 U9 C20 C21 Y1 R9	(OPTIONAL)	PIC I/O Control Section
E1 U10 C22 DS3 R10	(OPTIONAL)	Remote RF Interface
JP13 D1 U11 C23 C24 C25	(OPTIONAL)	Self powering Section

Title <b>SX16B</b>			Cannot open file D:\logo-societa_... piccolo.jpg		<b>Area SX s.r.l.</b> Via L. Robecchi Brichetti 13 00154 ROMA
Number:*	Revision:2.0				
Date: 16/02/2006	Time: 11.41.05	Sheet 2 of 2			
File: D:\Progetti\Hardware\Protel\SX16\01.01\SX16B_2_Sch.Doc					