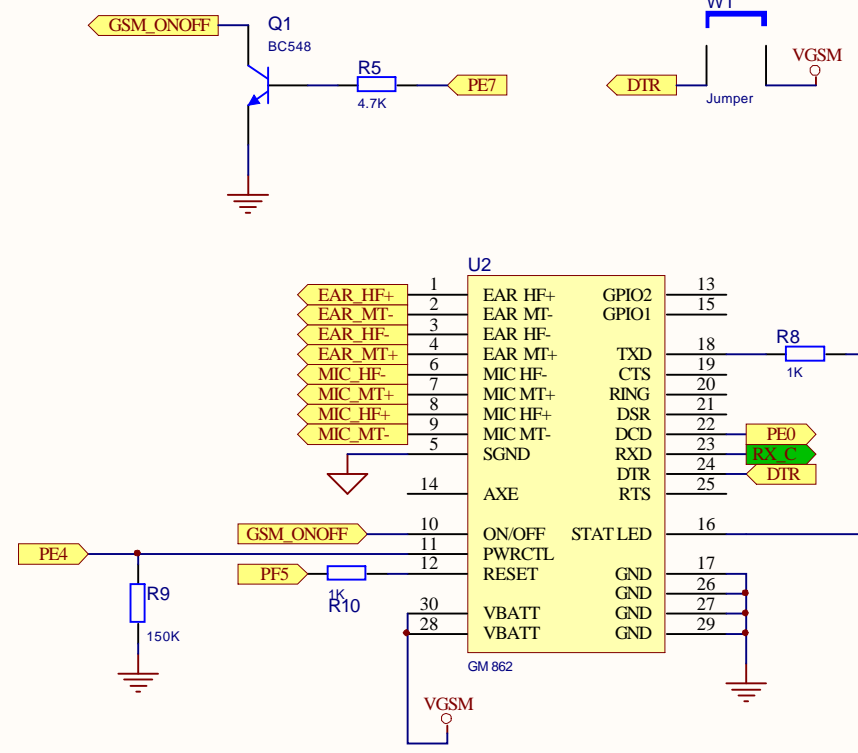
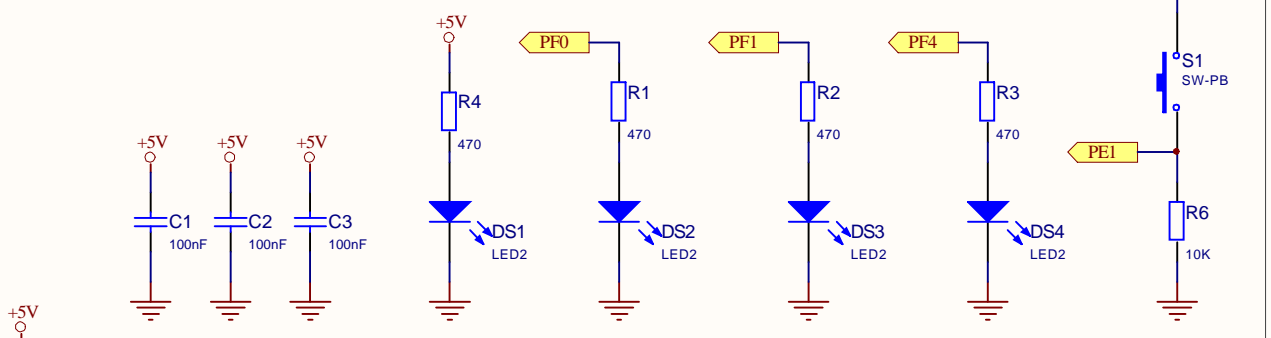


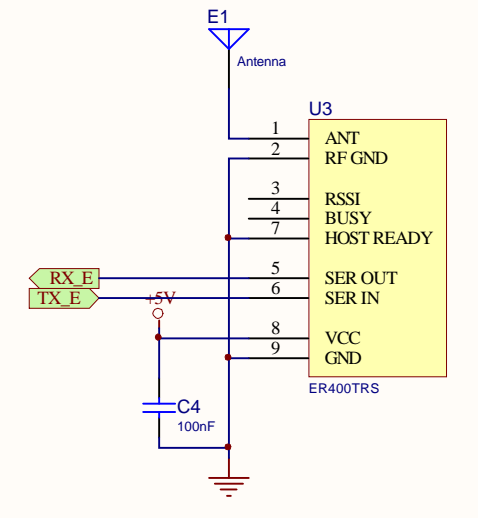
GPS INTERFACE



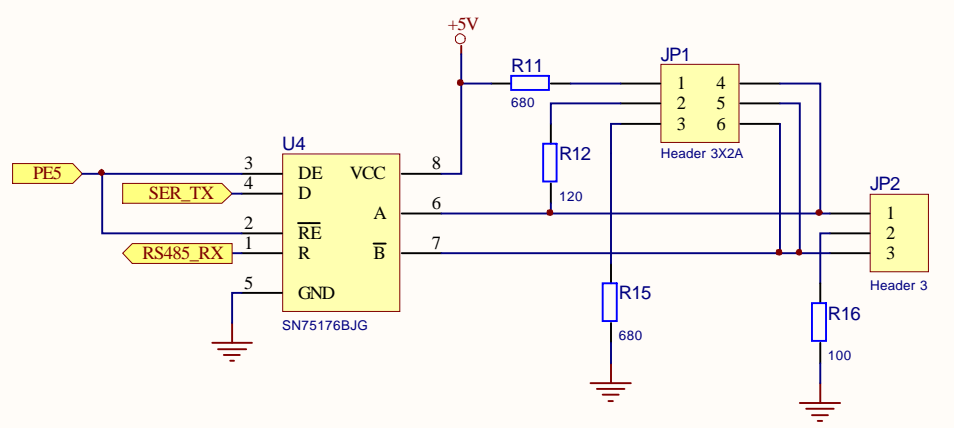
GSM/GPRS INTERFACE



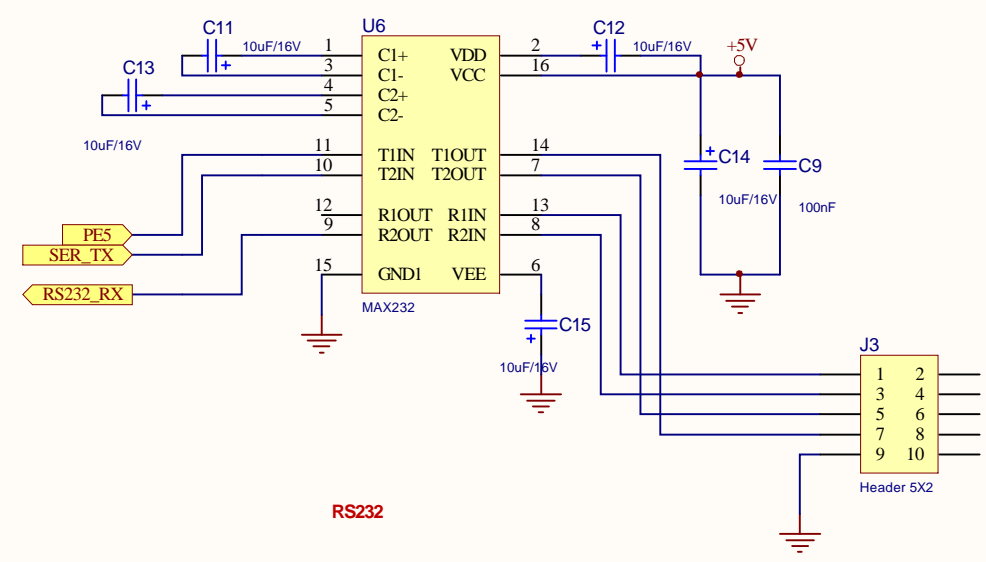
OPERATOR INTERFACE



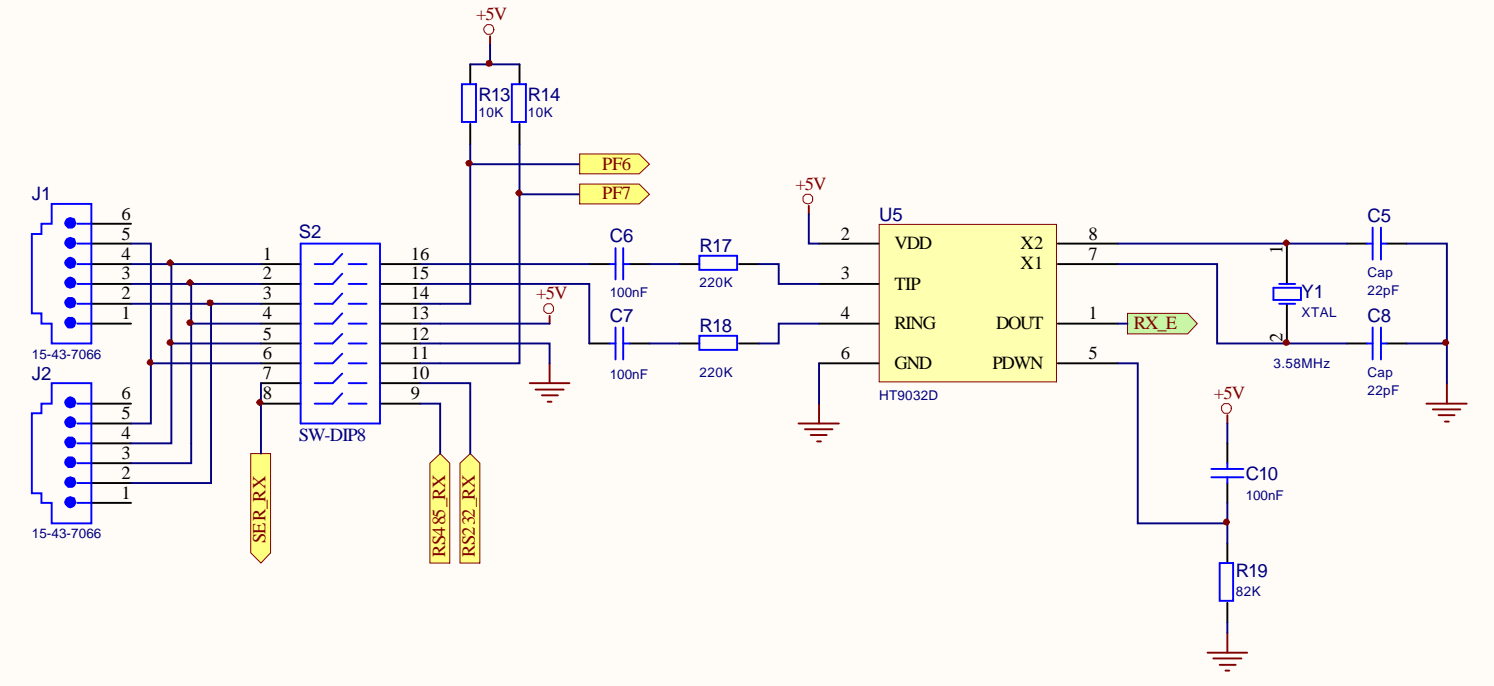
RF INTERFACE



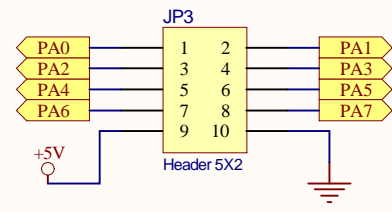
RS485



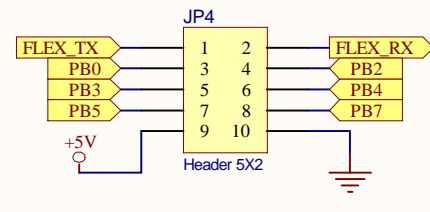
RS232



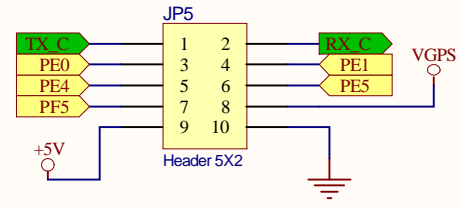
OUTPUT CONNECTOR



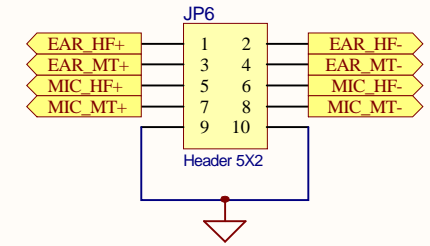
EXPANDER 1



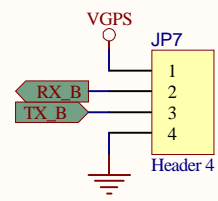
FLEX BUS



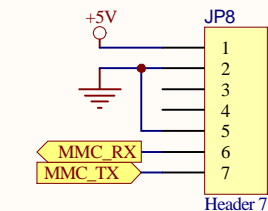
EXPANDER 2



AUDIO INTERFACE

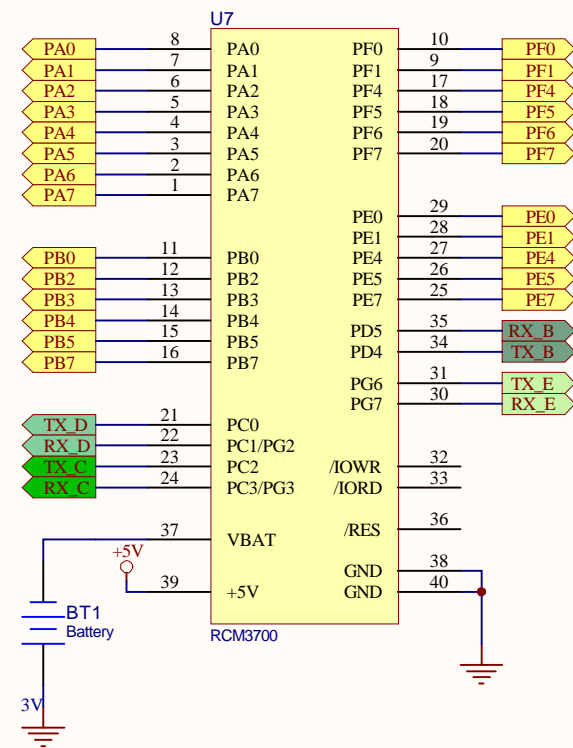


VGA CAM

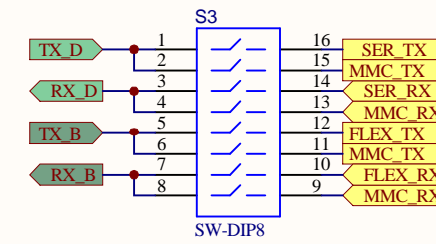


MICRO MMC

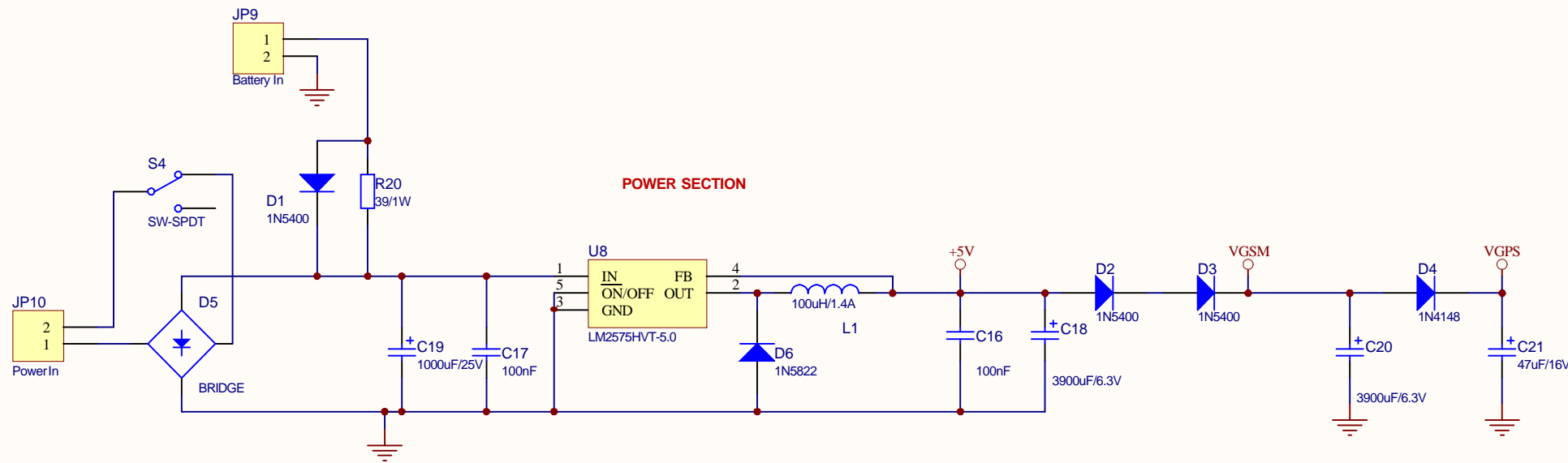
EXPANDERS



CPU



PERIPHERAL CONFIG



POWER SECTION

	(OPTIONAL)	
	(OPTIONAL)	
	(OPTIONAL)	

Title <b>SX15B - GSM/MMC Motherboard</b>		Cannot open file D:\logo-società_pi ccolo.jpg	Area SX s.r.l. Via L. Robecchi Brichetti 13 00154 ROMA
Number:	Revision2.0		
Date: 18/09/2006	Time: 16.44.15	Sheet of 2	
File: D:\Progetti\Hardware\Protel\SX15\1.1\SX15A.SchDoc			